

零件手册

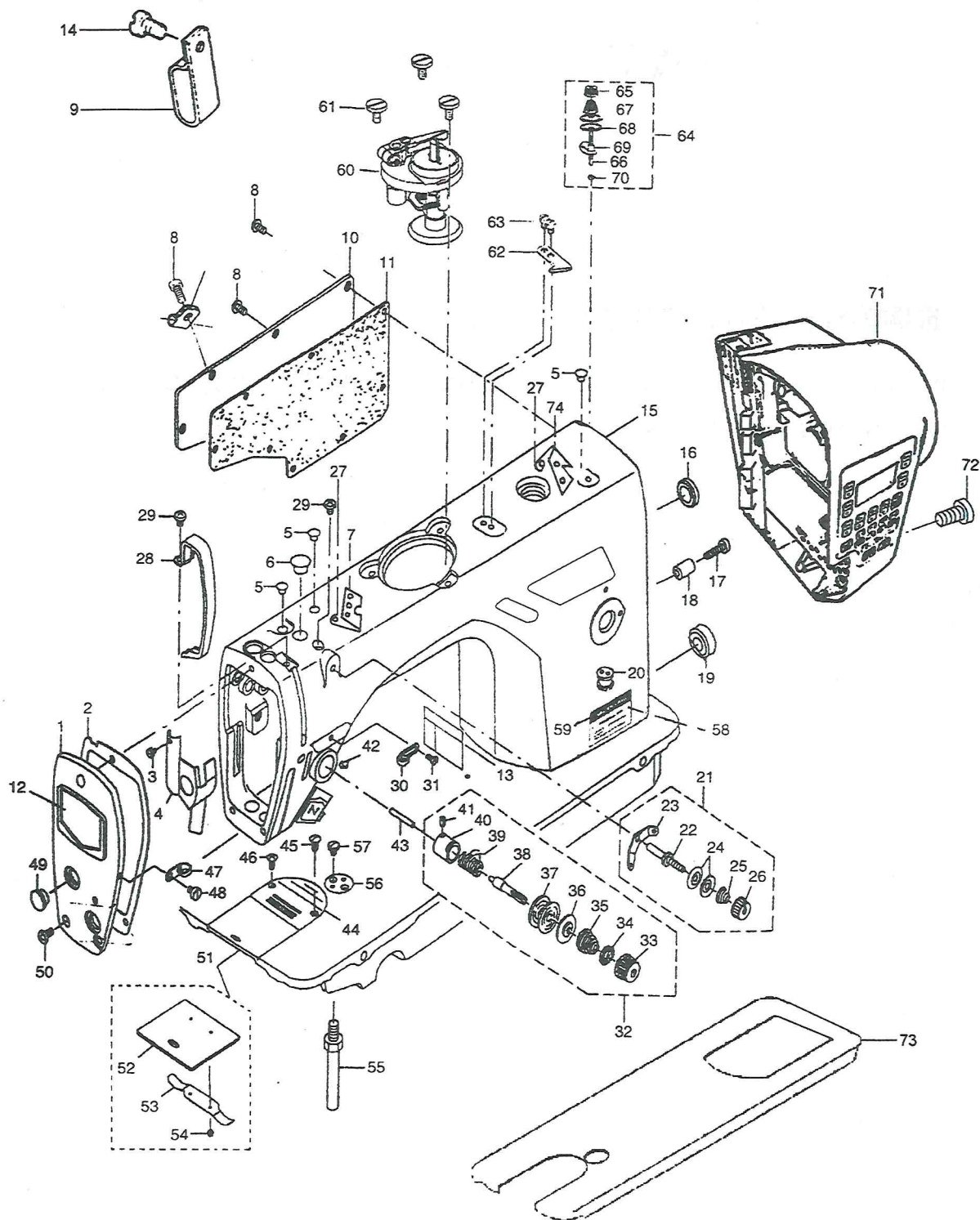
PARTS BOOK

选购零件部件时，请注明序号，件号。

**Please confirm the relative applications Ref. No,part No.
when buying the parts.**

1. 机壳 · 外装部件

MACHINE FRAME & MISCELLANEOUS COVER COMPONENTS

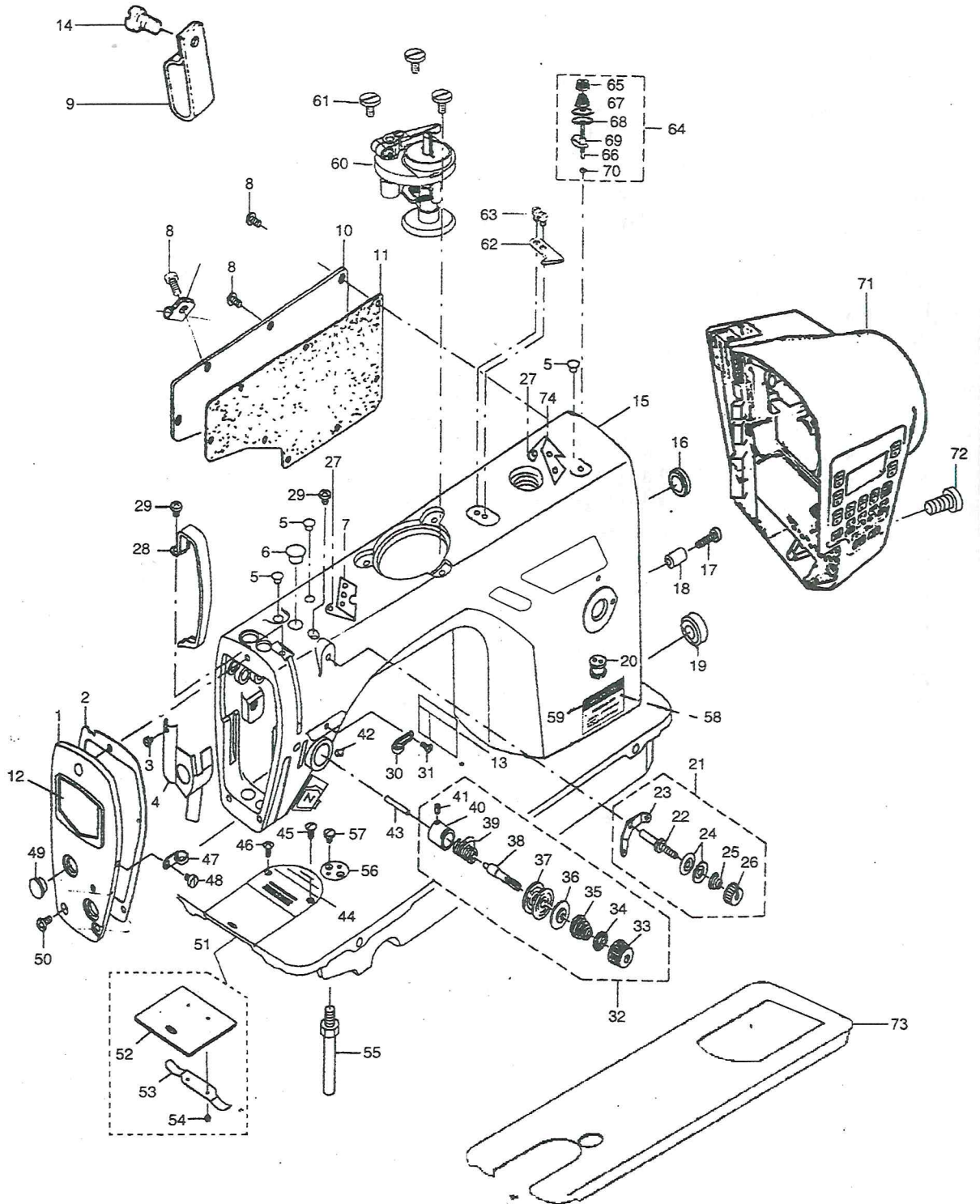


1.机壳·外装部件

序号 Ref. NO.	件号 Part NO.	名称	Description	数量 Qty	备注 Note
1	GR9890-01	面板	Face plate	1	
2	GR9890-02	面板垫	Face plate agsket	1	
3	GGS44	防油板螺钉	Screw 1/8x44 L=4	1	
4	GR3403	面板防油板部件	Arm oil shifld asm.	1	
5	GR3344	挑线连杆销螺孔塞	Rubber plug	3	
6	GR1463	针杆曲柄螺孔塞	Rubber plug	1	
7	GR9890-42	三孔过线	Three holes thread guide plate	1	
8	GS053	后窗板螺钉	Screw 3/16x28 L=9	7	
9	GR1083-8	导线夹板	Cord holder	1	
10	GK9890-03	后窗板	Side plate	1	
11	GR9890-04	后窗板垫	Gasket	1	
12	GQ277	面板装饰片	Face plate	1	
13	GQ196	安全指示牌	Safety label	1	
14	GS053-8	后窗板螺钉	Screw 3/16x28 L=14	3	
15		机壳	Machine cover	1	
16	GR3345	送料调节器孔塞	Rubber plug	1	
17	GS046	倒缝限位套紧固螺钉	Screw 3/16x28 L=18	1	
18	GO061-8	倒缝限位套	Reverse feed lever stopper	1	
19	GR1464	下轴盲孔塞	Rubber plug	1	
20	GR1005-8	导线过线套	Magnet cord rubber	1	
21	GR9890-29	调线夹线器组件	Thread tension asm.	1	
22	GR7650	调线夹线螺钉	Thread tension post	1	
23	GR7673	调线过线板	Thread tension guide	1	
24	GR1015-8	小夹线板	Thread tension disk	2	
25	GW233-8	小夹线簧	Thread tension spring	1	
26	GS1750	小夹线螺母	Thread tension nut	1	
27	GS551	小夹线器组件螺钉	Screw 11/61 x 40 L=6	1	
28	GK240	挑线杆防护罩	Thread take-up lever cover	1	
29	GS551	挑线杆护罩螺钉	Screw 3/16x28 L=6	3	
30	GR3354	右线钩	Arm thread guide Right	1	
31	GS0552	右线钩螺钉	Screw 11/64x40 L=6	1	
32		夹线器组件	Thread tension asm.	1	
33	GL0113	夹线螺母	Tension nut	1	
34	GR1490	夹线制动板	Rotating stopper	1	
35	GW251	夹线簧	Tension spring	1	
36	GR1489	夹线板	Thread tension disk presser	1	
37	GR1488	夹线板	Thread tension disk	2	
38	GS015	夹线螺钉	Tension post	1	
39	GW250	挑线簧	Take-up spring	1	
40	GR1487	挑线簧调节座	Tension post socket	1	
41	GS016	夹线螺钉紧固螺钉	Screw 9/64x40 L=5.5	1	
42	GS48	夹线器螺钉	Screw 15/64x28 L=7	1	
43	GX567	松线钉	Tension releasing	1	
44	GM202	针板	Throat plate	1	
45	GS044	针板螺钉	Screw 11/64x40 L=6	1	
46	GS044	针板螺钉	Screw 11/64x40 L=6	1	

1.机壳·外装部件

MACHINE FRAME&MISCELLANEOUS COVER COMPONENTS

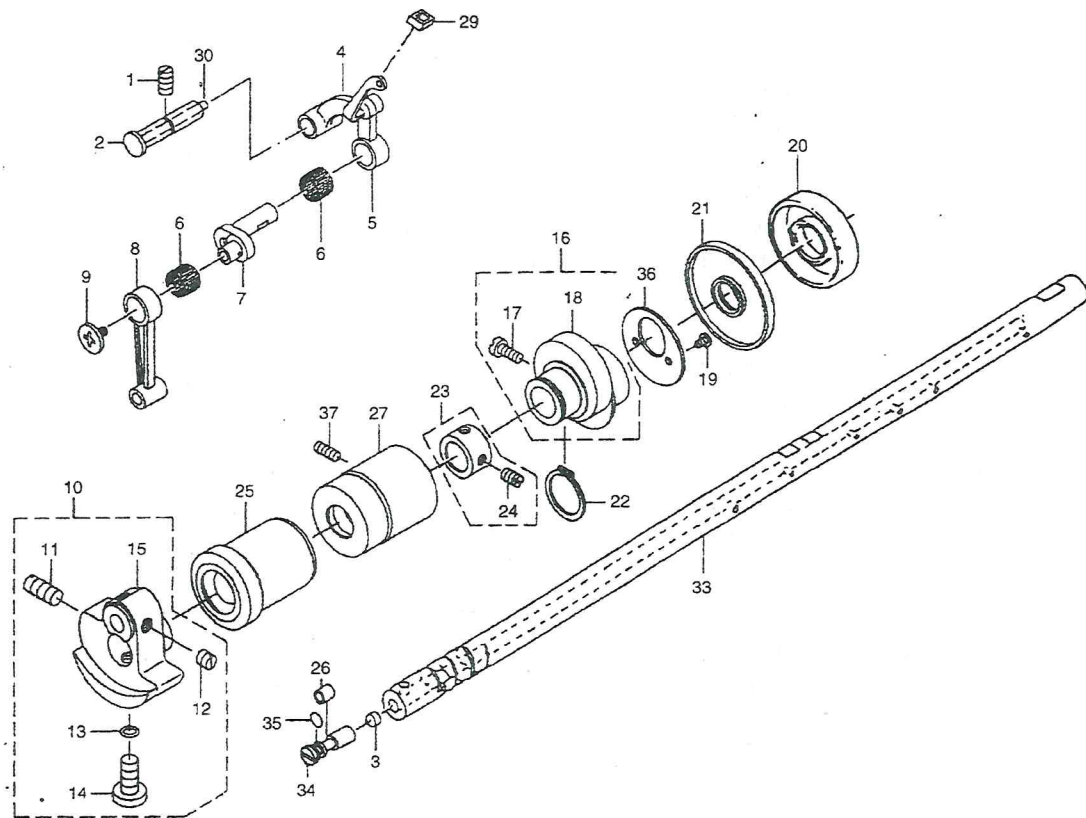


1.机壳·外装部件

序号 Ref. NO.	件号 Part NO.	名称	Description	数量 Qty	备注 Note
47	GR3355	左线钩	Arm thread guide Left	1	
48	GS0551	左线钩螺钉	Screw 11/64x40 L=6	1	
49	GR1458	面板调节螺孔塞	Ribber plug	2	
50	GS053	面板螺钉	Screw 3/16x28 L=9	3	
51	GM340/4	推板部件	Slide plate asm.	1	
52	GM204	推板	Slide plate	1	
53	GW434	推板簧	Bed slide spring	1	
54	GS045	推板簧螺钉	Screw 3/32x56 L=2.2	2	
55	GS0548	底板支柱	Bed screw stud	4	
56	GR724	夹边器	Ruler stopper	1	
57	GS373	夹边器螺钉	Screw 11/64x40 L=6	2	
58	GX565	型号牌铆钉	Pole	2	
59	GQ276-8	型号牌	Model plate	1	
60	GR9890-40	绕线器组件	Bobbin base	1	
61	GS9890-41	绕线器螺钉	Screw	3	
62	GR9890-26	割线刀	Knife	1	
63	GS226	绕线器割线刀螺钉	Knife screw	2	
64	GR9890-38	夹线器组件	Thread tension asm.	1	
65	GR9890-38-1	夹线螺母	Tension nut	1	
66	GR9890-38-2	夹线螺钉	Tension post	1	
67	GR9890-38-3	夹线弹簧	Tension spring	1	
68	GR9890-38-4	夹线板	Thread tension disk presser	2	
69	GR9890-38-5	过线板	Thread tension guide	1	
70	GR9890-38-6	夹线螺母(下)	Tension nut	1	
71	GR9890-46	电机罩壳	Motor cover	1	
72	GS1769	电机罩紧固螺钉	Screw 3/16 x 28 L=20	3	
73	GR9890-47	不锈钢工作台面	Stainless steel working table	1	
74	GR9890-35	过线导线器	Thread guide plate	1	

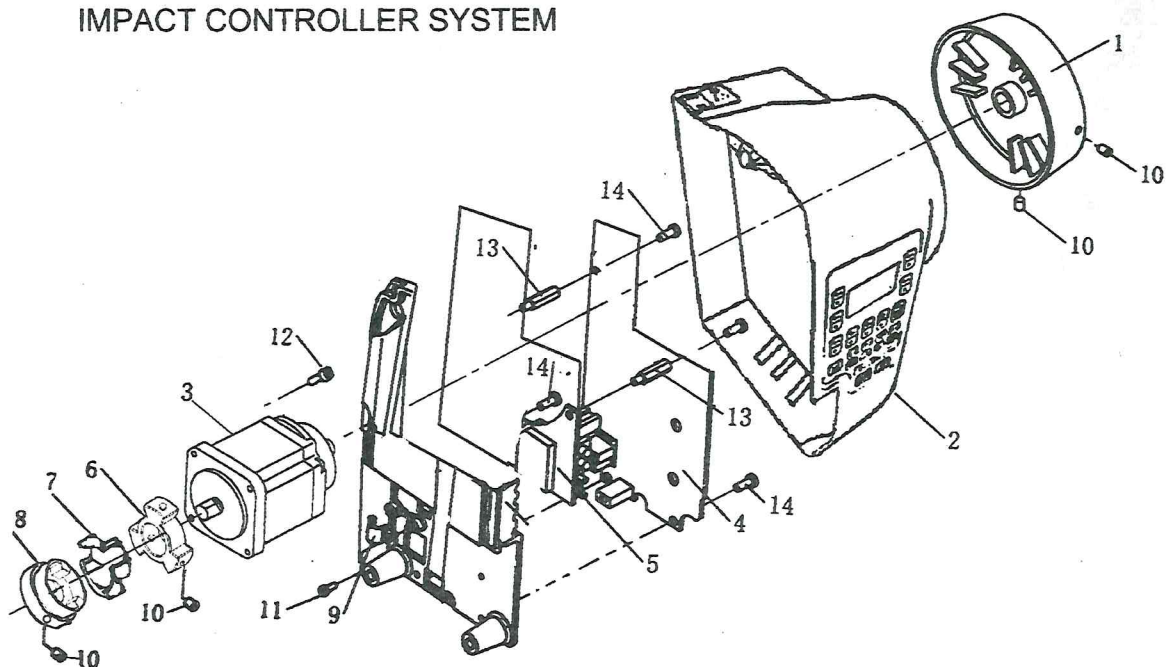
2. 上轴 · 挑线部件

MAIN SHAFT & THREAD-UP LEVER COMPONENTS



3. 一体式电控系统

IMPACT CONTROLLER SYSTEM



2.上轴·挑线部件

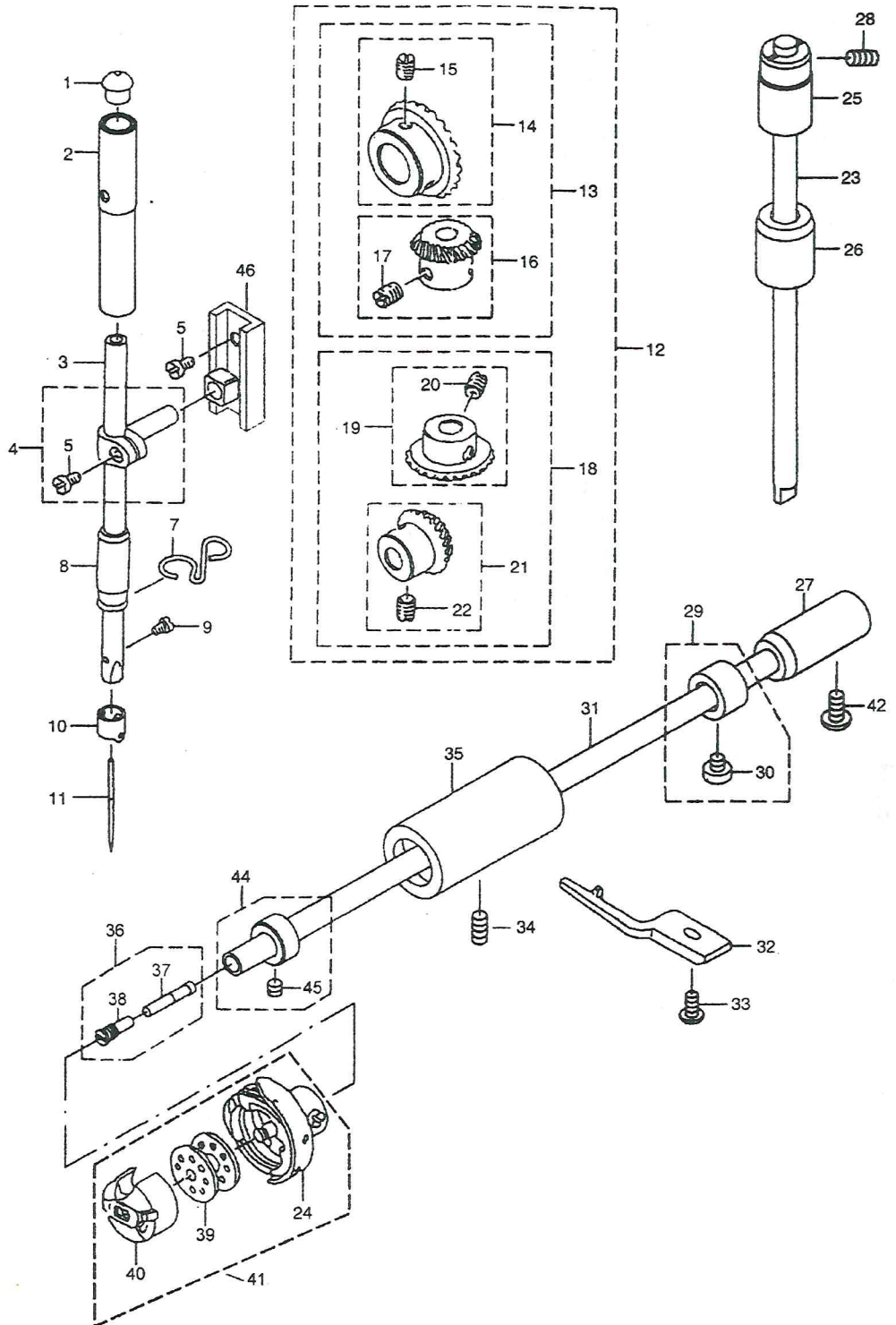
序号 Ref. NO.	件号 Part NO.	名称	Description	数量 Qty	备注 Note
1	GS04	挑线连杆销螺钉	Screw 15/64x28 L=10.5	1	
2	GX566	挑线连杆销	Thread take-up crank shaft	1	
3	GR1470	曲柄油量限制毡	Roller felt	1	
4	GH564/4	挑线连杆	Thread take-up lever	1	
5	GH564/6	挑线连杆分组件	Thread take-up lever asm.	1	
6	GO270	挑线杆滚针轴承	Needle bearing	2	
7	GH402/2	挑线曲柄部件	Needle bar crank	1	
8	GH334	针杆连杆	Needle bar crank rod	1	
9	GS09	挑线曲柄左旋螺钉	Left screw 9/64x40 L=4.8	1	
10	GH561-8	针杆曲柄组件	Counter weight asm.	1	
11	GD0550	针杆曲柄紧固螺钉	Screw 9/32x28 L=16	1	
12	GD39	挑线曲柄定位螺钉	Screw 1/4x40 L=6	2	
13	GR1472	定位螺钉O型圈	Rubber ring	1	
14	GD06	针杆曲柄定位螺钉	Screw 9/32x28 L=15.5	1	
15	GH9890-65	针杆曲柄	Counter weight	1	
16		送料偏心轮组件	Feed drive eccentric cam asm.	1	
17	GD034	送料偏心轮螺钉	Screw 1/4x40 L=11	2	
18	GT198	送料偏心轮	Feed drive eccentric cam	1	
19	GD011	送料偏心轮盖板螺钉	Screw 9/64x40 L=6	2	
20	GR9890-11	轴承(6907Z)	Needle bearing	1	
21	GR9890-09	上轴油封	Oil seal	1	
22	GR1535	拾牙连杆轴挡圈	Snap ring	1	
23	GR1469	上轴挡圈组件	Thrust collar asm.	1	
24	GS39	上轴挡圈螺钉	Screw 1/4x40 L=6	2	
25	GO9890-06	上轴前轴套	Main shaft front bushing asm.	1	
26	GO296	曲柄油量调节销	Oil adjusting collar	1	
27	GO9890-07	上轴中轴套	Bushing, intermediate	1	
29	GR9890-22	橡皮套	Rubber	1	
30	GR3350	挑线连杆销毛毡	Thread take-up crank shaft felt	1	

3.一体式电控系统

序号 Ref. NO.	件号 Part NO.	名称	Description	数量 Qty	备注 Note
1	GP9890-45	手轮	Hand wheel	1	
2		电机壳	Belt cover	1	
3	GR9890.36	电机	Motor asm	1	
4		PCB1		1	
5		PCB2		1	
6	GR9896.30	联轴器A	Connect block A	1	
7	GR9896.32	联轴器橡胶圈	Connect rubber	1	
8	GR9896.31	联轴器B	Connect block B	1	
9		电源压线板	Electricity line pressing board	1	
10		紧固螺钉	Holding screw	8	
11		十字组合螺钉	Cross recess head screw	2	
12		内六角螺钉	Socket head screw	3	
13		铜柱	Copper cylinder	2	
14		十字组合螺钉	Cross recess head screw	5	

4. 针杆 · 竖轴 · 下轴部件

NEEDLE BAR, UPRIGHT SHAFT & HOOK DRIVING SHAFT COMPONENTS

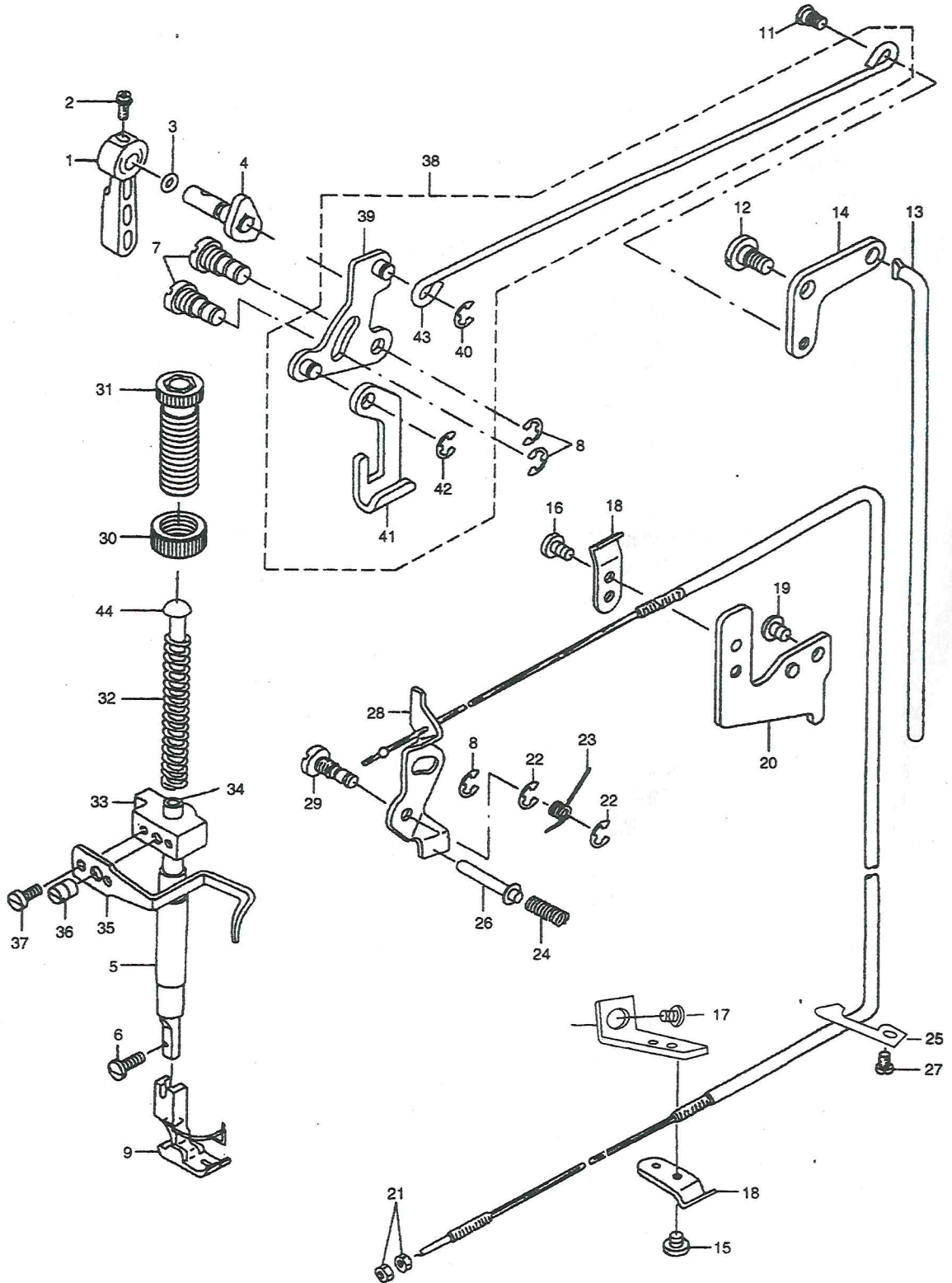


4. 针杆 · 竖轴 · 下轴部件

序号 Ref. NO.	件号 Part NO.	名称	Description	数量 Qty	备注 Note
1	GR1479	针杆上孔塞	Cap	1	
2	GO9890-17	针杆上套	Needle bar bushing upper	1	
3	GZ9890-16	针杆	Needle bar	1	
4	GR1478	针杆连接柱组件	Needle rod holder asm.	1	
5	GS011	针杆连接柱螺钉	Screw 9/64x40 L=7.5	3	
6	GU168	针杆连接柱滑块	Slide block	1	
7	GR9890-18	针杆下套线钩	Needle bar thread guide	1	
8	GO272	针杆下套	Needle bar bushing, lower	1	
9	GS071	机针螺钉	Screw 1/8x44 L=4.8	1	
10	GR3352	针杆线钩	Needle bar thread guide	1	
11	GV15	机针	Needle DBX1 #14	1	
12		伞齿轮组件	Gear & pinion asm.	1	
13		上齿轮组件	Gear & pinion asm., upper	1	
14	GC168	上轴伞齿轮组件	Gear asm.	1	
15	GS033	伞齿轮螺钉	Screw 1/4x40 L=8	2	
16	GC167	竖轴上伞齿轮组件	Pinion asm.	1	
17	GS033	伞齿轮螺钉	Screw 1/4x40 L=8	2	
18		下齿轮组件	Gear & pinion asm., lower	1	
19	GC166	竖轴下齿轮组件	Gear asm.	1	
20	GS033	伞齿轮螺钉	Screw 1/4x40 L=8	2	
21	GC165	下轴伞齿轮组件	Pinion asm.	1	
22	GS033	伞齿轮螺钉	Screw 1/4x40 L=8	2	
23	GZ435	竖轴	Upright shaft	1	
24	GN161	旋梭	Hook asm.	1	
25	GO472	竖轴上轴套	Upright shaft bushing, upper	1	
26	GO471	竖轴下轴套	Upright shaft bushing, lower	1	
27	GO470	下轴后轴套	Bushing rear	1	
28	GS053	竖轴上套紧固螺钉	Screw 3/16x28 L=7	1	
29	GR1519-8	下轴挡圈组件	Thrust collar asm.	1	
30	GS082-8	下轴挡圈螺钉	Screw 11/64x40 L=5	2	
31	GZ434-8	下轴	Lower shaft	1	
32	GR3371	旋梭定位钩	Bobbin case holder	1	
33	GS030-8	旋梭定位钩螺钉	Screw 11/64x40 L=9.5	1	
34	GS0559	下轴前轴套螺钉	Screw 3/16x28 L=7	1	
35	GO1002	下轴前轴套	Lower shaft front metal	1	
36		下轴限油组件	Oil seal screw asm.	1	
37	GR1515	下轴限油芯	Oil wick	1	
38	GS031	下轴限油螺钉	Oil seal screw	1	
39	GN163	梭心	Bobbin	1	
40	GN162	梭壳	Bobbin case	1	
41	GN161	旋梭梭壳组件	Hook bobbin case asm.	1	
42	GO053	下轴后轴套螺钉	Screw 3/16x28 L=13	1	
43	GR0341	针杆连接柱滑块座	Slide block base	1	
44	GR3372-7	下轴挡油圈组件	Lower shaft oil deflector asm	1	
45	GS210	挡油圈螺钉	Oil deflector screw 11/64 x 40 L=3.5	2	

5.压杆部件

HAND LIFTER COMPONENTS

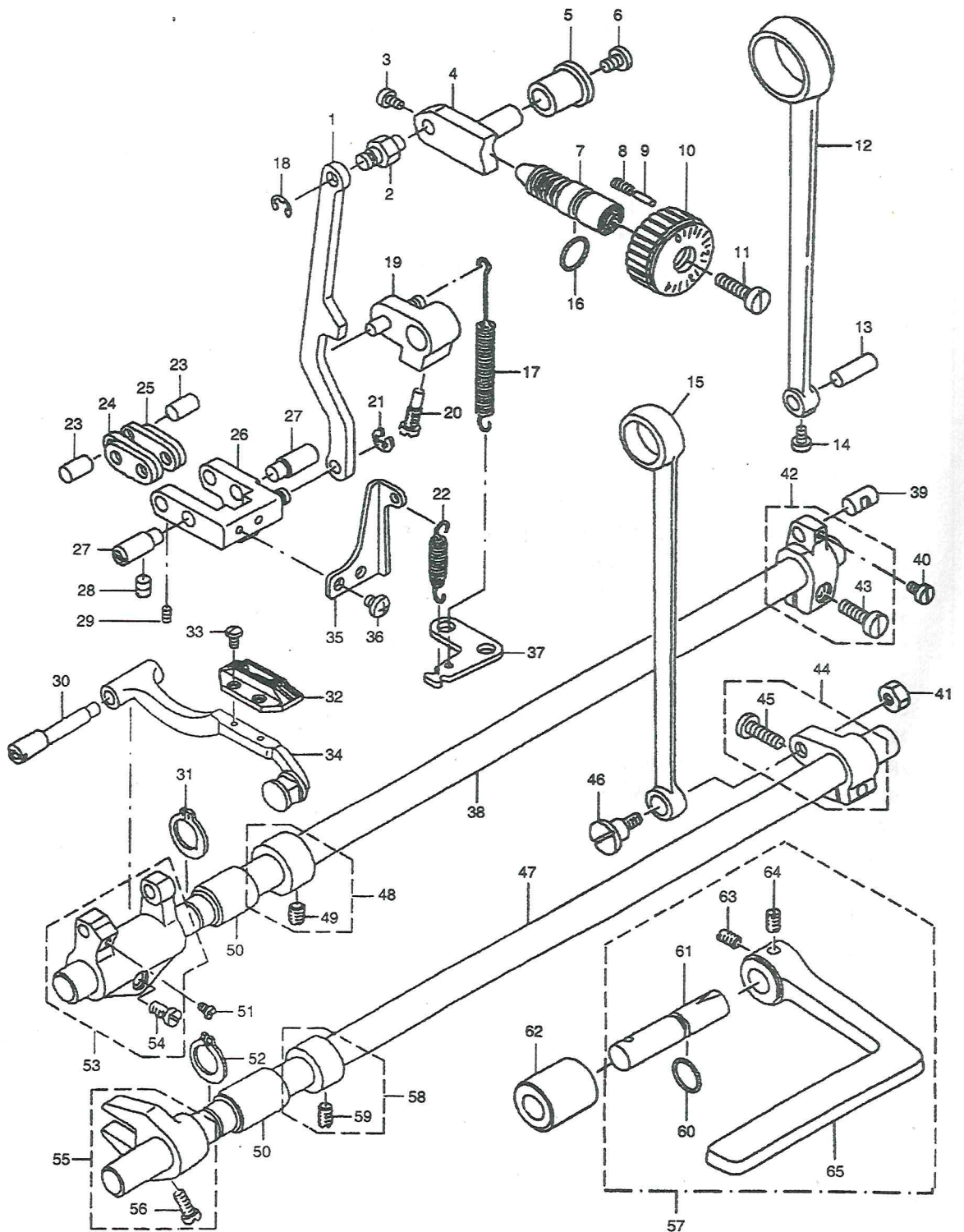


5.压杆部件

序号 Ref. NO.	件号 Part NO.	名称	Description	数量 Qty	备注 Note
1	GR3360	压脚扳手	Hand lifter	1	
2	GS0554	压脚扳手螺钉	Screw 9/64x40 L=10	1	
3	GR1503	压脚扳手轴O型圈	Rubber ring	1	
4	GR336/2	压脚扳手凸轮部件	Hand lifter cam asm.	1	
5	GO273	压杆轴套	Presser bar bushing lower	1	
6	GS020	活压脚螺钉	Screw 9/64x40 L=8	1	
7	GS0555	前杠杆螺纹销	Link shaft	2	
8	GR1510	螺纹销开口挡圈	E-ring 5	3	
9	GM200/5	活压脚部件	Presser foot asm.	1	
10		下压线底板	Wire holder bracket, lower	1	
11	GS0558	拾压脚拉杆螺钉	Hinge screw	1	
12	GS0557	后杠杆轴拉螺钉	Hinge screw	1	
13	GR3370	拾压脚顶杆	Knee lifter connecting rod	1	
14	GR3369	拾压脚后杠杆	Lifting lever link	1	
15	GS010	下压板紧固螺钉	Screw 11/64x40 L=5	1	
16	GS336-8	上压板紧固螺钉	Screw 11/64x40 L=5	1	
17		下压板组件紧固螺钉	Screw 15/64x28 L=14.5	1	
18	GR1017-8	拉线活压板	Wire holder	2	
19	GS310-8	上压板组件紧固螺钉	Screw 3/16x28 L=6	1	
20	GR1016-8	上压线底板	Wire holder bracket, upper	1	
21	GL6	拉线钮距调节螺母	Nut 3/16x32	2	
22	GR1510	螺纹销开口挡圈	E-ring 5	2	
23	GW433	松线顶板复位簧	Tension release return spring	1	
24	GW432	松线辅钉弹簧	Thread release pin spring	1	
25		软管右挡板	Wire cable holder	1	
26	GX568	松线辅钉	Tension release supporting pin	1	
27		右挡板紧固螺钉	Screw 3/16x28 L=6	1	
28	GR9890-50	松线顶板	Thread tension release wire	1	
29	GS0556	松线顶板螺纹销	Tension release shaft	1	
30	GL0114	调压螺母	Presser adjusting screw nut	1	
31	GS0553-8	调压螺钉	Presser spring regulator	1	
32	GW253	调压簧	Presser adjusting spring	1	
33	GR3358-8	压杆导架	Presser bar guide bracket	1	
34	GZ275	压杆	Presser bar	1	
35	GR9890-56	缓线调节钩	Presser bar thread guide	1	
36	GS033	压杆导架螺钉	Screw 1/4x40 L=8	1	
37	GS0100	缓线调节钩螺钉	Screw 9/64x40 L=8	2	
38		前杠杆组件	Knee lifting cross rod asm	1	
39	GR3364/3	拾压脚前杠杆部件	Hand lifter link	1	
40	GR1510	拉杆开口挡圈	E-ring 5	1	
41	GR3363	压脚升降板	Lifting lever	1	
42	GR3366	升降板连接开口挡圈	E-ring 5	1	
43	GR3368	拾压脚拉杆	Knee lifting cross rod	1	
44	GR1494	调压导杆	Presser guide bar	1	

6.送料部件

FEED MECHANISM COMPONENTS

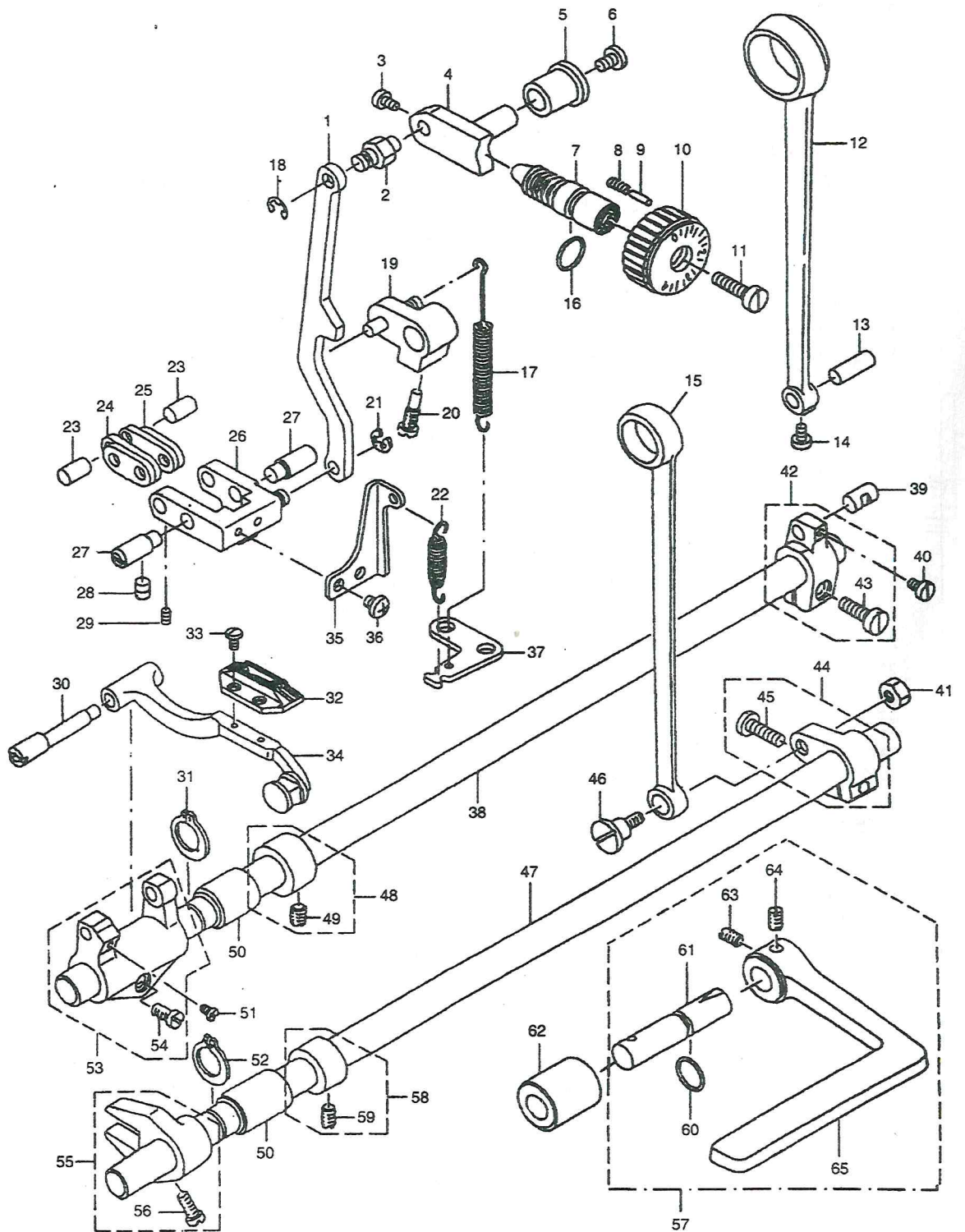


6.送料部件

序号 Ref. NO.	件号 Part NO.	名称	Description	数量 Qty	备注 Note
1	GH9890-24	倒送料连杆	Feed adjust rod	1	
2	GX9890-25	倒送料连杆销	Feed regulator pin	1	
3	GS011	连杆销螺钉	Screw 9/64x40 L=6	2	
4	GR3384	送料调节器	Feed regulator	1	
5	GO474	送料调节器轴套	Feed regulator bushing	1	
6	GSO565	送料调节器紧固螺钉	Screw 3/16x28 L=7	1	
7	GS9890-23	送料调节螺栓	Feed regulator screw	1	
8	GW257	送料距锁合簧	Spring	1	
9	GX576	送料距锁合销	Feed adjust pin	1	
10	GR3382-8	送料距旋钮	Feed dial	1	
11	GS0563	送料距旋钮螺钉	Screw 3/16x28 L=18	1	
12	GH568	送料连杆	Rocker shaft connecting rod	1	
13	GX570	送料连杆销	Walking foot long pin	1	
14	GSO560	送料连杆螺钉	Screw 9/64x40 L=4	1	
15	GH572	抬牙连杆	Connecting rod	1	
16	GR3383	送料调节螺栓O型圈	Rubber ring	1	
17	GW436	摆动板座复位簧	Feed reverse spring	1	
18	GR1510	倒送料连杆销挡圈	E-ring 5	1	
19	GH547/2	倒送料曲柄组件	Feed reverse arm asm.	1	
20	GS2566	倒送料曲柄螺钉	Screw	1	
21	GR1510	倒送料连杆挡圈	E-ring 5	1	
22	GW435	倒送料拉簧	Spring	1	
23	GX571	短摆动板连接销	Walking foot short pin	2	
24	GR3374	送料长摆动板	Connecting link long pin	2	
25	GR3375	送料短摆动板	Connecting link short pin	2	
26	GR3376/2-8	送料摆动板座组件	Feed adjust link asm.	1	
27	GX573	送料摆动板座左右销	Adjusting link fulcrum shaft	2	
28	GS48	左右销螺钉	Screw 15/64x28 L=7	2	
29	GSO560	连杆销螺钉	Screw 9/64x40 L=4	2	
30	GX575	牙架销	Feed bar shaft	1	
31	GR1524	送料轴轴用挡圈	Retaining ring	1	
32	GM201	送料牙	Feed dog I	1	
33	GS072	送料牙螺钉	Screw 1/8x44 L=6	2	
34	GR3380/5-8	牙架部件	Feed bar asm.	1	
35	GR3388	摆动板座复位板	Adjusting link spring guide	1	
36	GS0567	复位板紧固螺钉	Screw 11/64x40 L=5	2	
37	GR3387	拉簧固定板	Feed spring hood	1	
38	GZ436	送料轴	Feed rocker shaft	1	
39	GX571	送料曲柄销	Walking foot middle pin	1	
40	GS0560	曲柄销螺钉	Screw 9/64x40 L=6	1	
41	GL7	抬牙连杆轴位螺母	Nut 9/32x28	1	
42	GH569	送料曲柄组件	Feed rocker shaft crank asm.	1	
43	GS0561	送料曲柄螺钉	Screw 3/16x28 L=15.5	1	
44	GH571	抬牙后曲柄组件	Lifting rocker asm.	1	
45	GS0561	抬牙后曲柄螺钉	Screw 3/16x28 L=14	1	
46	GS0562	抬牙连杆轴位螺钉	Hinge screw	1	

6.送料部件

FEED MECHANISM COMPONENTS

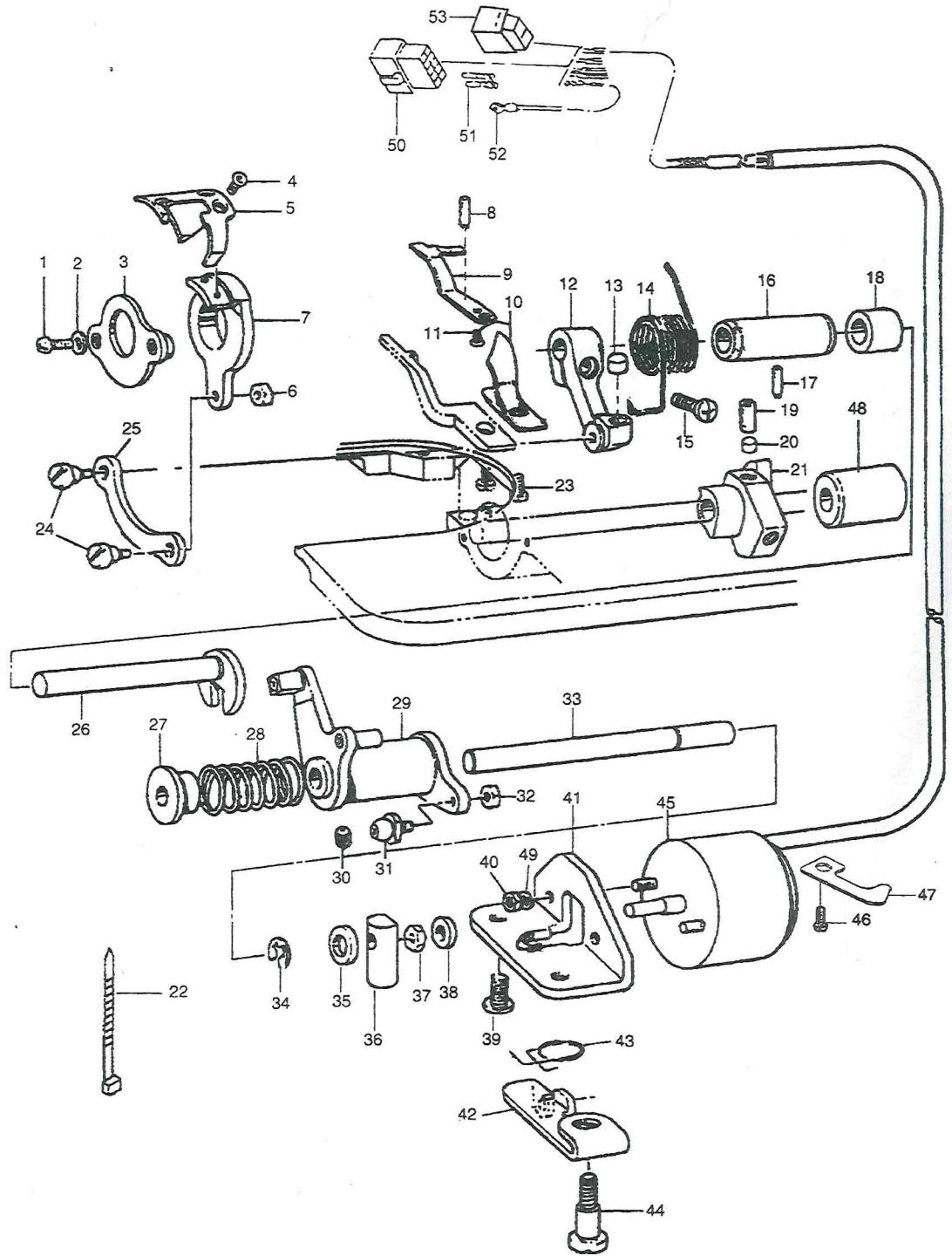


6.送料部件

序号 Ref. NO.	件号 Part NO.	名称	Description	数量 Qty	备注 Note
47	GZ437	拾牙轴	Feed driving shaft	1	
48	GR1469	拾牙轴挡圈组件	Thrust collar asm.	1	
49	GS39	送料轴挡圈螺钉	Screw 1/4x40 L=6	1	
50	GO473	送料轴前轴套	Feed rocker shaft bushing	2	
51	GS092	牙架销螺钉	Screw 11/64x40 L=7	2	
52	GR1524	拾牙轴轴用挡圈	Retaining ring	1	
53	GR3379-8	牙架座组件	Feed bar crank asm.	1	
54	GS69	牙架座螺钉	Screw 3/16x28 L=14	1	
55	GH570	拾牙叉曲柄组件	Driving shaft crank asm.	1	
56	GS037	拾牙叉曲柄螺钉	Screw 11/64x40 L=10.5	1	
57	GR3386-8	倒送料扳手组件	Reverse feed control lever asm.	1	
58	GR1469	拾牙轴挡圈	Thrust collar asm.	1	
59	GS39	拾牙轴挡圈螺钉	Screw 1/4x40 L=6	2	
60	GR3385	倒送料轴O型圈	Rubber ring	1	
61	GZ438	倒送料轴	Feed reverse shaft	1	
62	GO9890-57	倒送料轴轴套	Feed lever metal	1	
63	GS033	倒送料扳手螺钉	Screw 1/4x40 L=8.5	1	
64	GS050	倒送料扳手定位螺钉	Screw 1/4x40 L=10	1	
65	GR9890-64	倒送料扳手	Reverse feed control lever	1	

7.自动切线部件

THREAD TRIMMER COMPONENTS

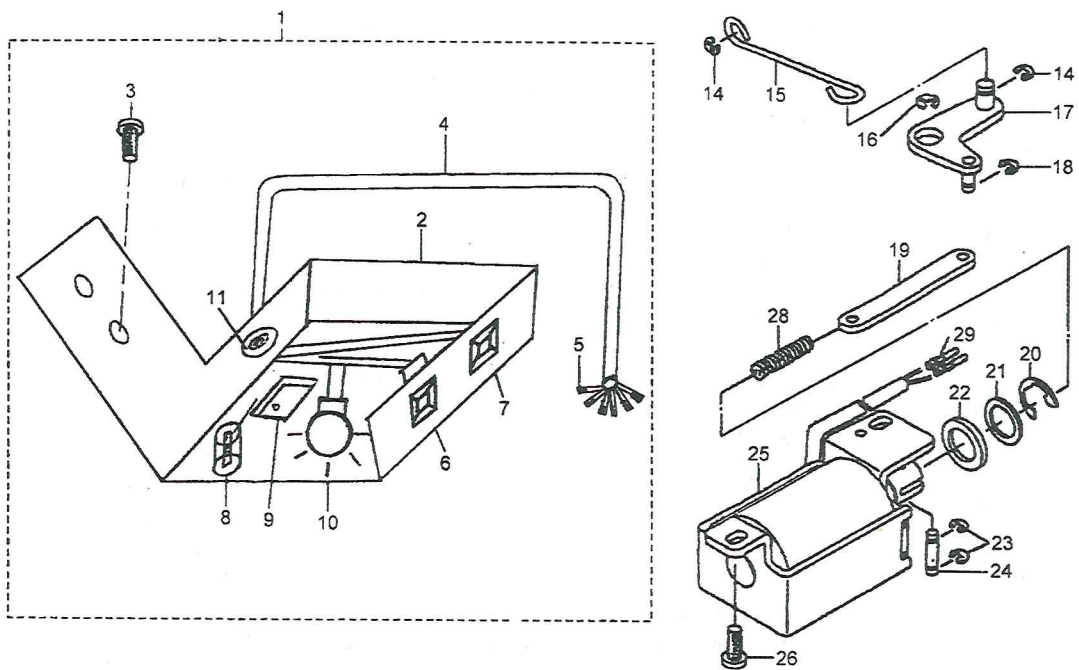


7.自动切线部件

序号 Ref. NO.	件号 Part NO.	名称	Description	数量 Qty	备注 Note
1	GS832	螺钉SM11/64"x40 L=12	Screw SM11/64x40 L=12	2	
2	GR7662	牙架座螺钉垫圈	Washer	2	
3	GR7661	刀架压板组件	Partiality shank asm.	1	
4	GS175	活动刀固定螺钉	Screw	2	
5	GR7663	活动刀	Motorial knife	1	
6	GL650	螺母 SM11/64"x40	Nut SM11/64x40	1	
7	GR7660	剪线刀架	Knife bracket	1	
8	GS9890-27	定刀调节螺钉	Screw	1	
9	GR7656	割线刀	Secant knife	1	
10	GR7658	护针片	Protect needle patch	1	
11	GS1755	螺钉 SM9/64"x40 L=4	Screw SM9/64x40 L=4	1	
12	GH1001	曲柄	Thread shear rock arm	1	
13	GR7664	驱动曲柄止动块	Positioning block	1	
14	GW951	弹簧	Spring	1	
15	GS1760	螺钉 SM3/16"x32 L=14	Screw SM3/16x32 L=14	2	
16	GO1001	切线轴套	Thread shear cam rock arm assy	1	
17	GS1761	螺钉 SM11/64"x40	Screw SM11/64x40	1	
18	GO1000	驱动曲柄轴衬套	Short bush	1	
19	GS1754	螺钉 SM1/4"x40 L=10	Screw SM1/4x40 L=10	1	
20		凸轮顶柱	Pole	2	
21	GR7656	凸轮	Thread shear cam	1	
22		尼龙扎带	Bale band	1	
23	GS788	螺钉 SM9/64"x40 L=5	Screw SM9/64x40 L=5	1	
24	GS1759	连杆螺钉 SM11/64"x40 L=5.5	Screw SM11/64x40 L=5.5	2	
25	GH1000	连杆	Knife shaft connecting rod	1	
26	GZ850	切线凸轮曲柄轴	Thread shear rock arm shaft	1	
27	GR7667	扭簧端盖	Spring cover	1	
28	GW952	弹簧	Spring	1	
29	GR7665	剪线驱动组件	Thread shear rock arm shaft	1	
30	GS189	螺钉 SM11/64"x40	Screw SM11/64x40	1	
31	G7666	滚柱	Rooll shaft assy	1	
32	GL650	螺母	Nut	1	
33	GZ851	轴	Thread shear shaft	1	
34	GR7669	挡圈	Retaining ring	1	
35	GR7668	电磁铁缓冲垫	Magnetic plug cushion mat	1	
36	GR7672	切线电磁铁顶销	Magnetic plug pin	1	
37	GL652	螺母 SM1/4"x40	Nut SM1/4x40	1	
38	GR7671	垫圈	Washer	1	
39	GS1763	油泵安装螺钉	Screw	1	
40	GKL201-8	螺母 M4	Nut M4	2	
41	GR7670	切线磁铁支架	Magnetic plug cushion mat	1	
42	GR7677	松线座	Thread loose seat	1	
43	GWS953	弹簧	Spring	1	
44	GS1764	螺钉 SM1/4"x28 L=13	Screw SM1/4x28 L=13	1	
45	GQ785	剪线电磁铁组件	Magnetic plug	1	
46	GR3400-7	螺钉 SM15/64"x28 L=14.5	Screw SM15/64x28 L=14.5	1	
47	GS525-8	旋梭供油管压板	Electrical plug breacker washer	1	
48	GO1003	下轴中套	Bushing,lower shaft	1	
49	GKR202	垫圈4.5x8x0.5	Washer 4.5x8x0.5	2	
50	GR8800-61	14孔接线器	14 holes thread connector	1	
51	GR9890-78	接线端子	Conncting terminal	1	
52	GR8800-60	地线接头	Groundwire terminel	1	
53	GR9890-70	LED灯接线器	LED light's wire connector	1	

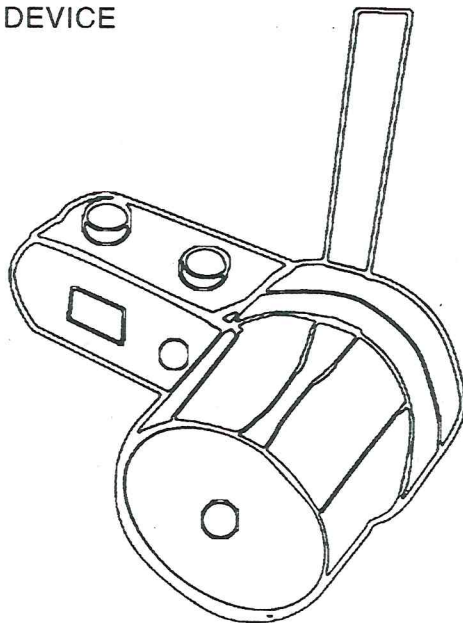
8. 自动倒缝部件

AUTOMATIC REVERSE FEED COMPONENTS



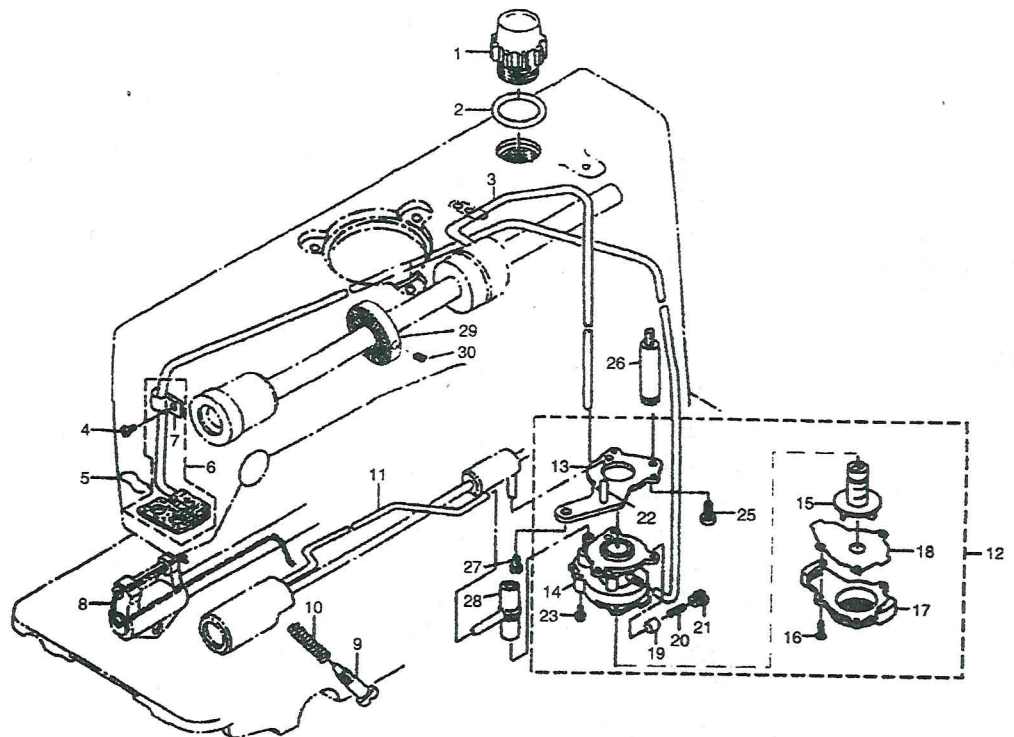
9. 夹线器

THREAD CLAMP DEVICE



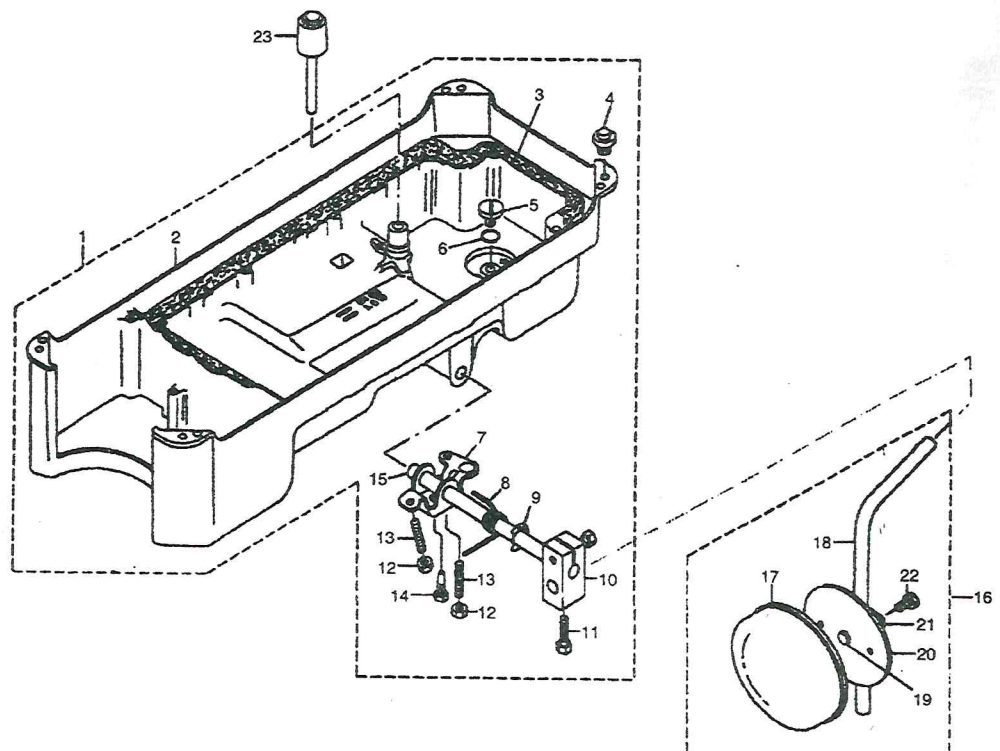
10. 润滑部件

OIL LUBRICATION COMPONENTS



11. 油盘部件

OIL RESERVOIR COMPONENTS



10. 润滑部件

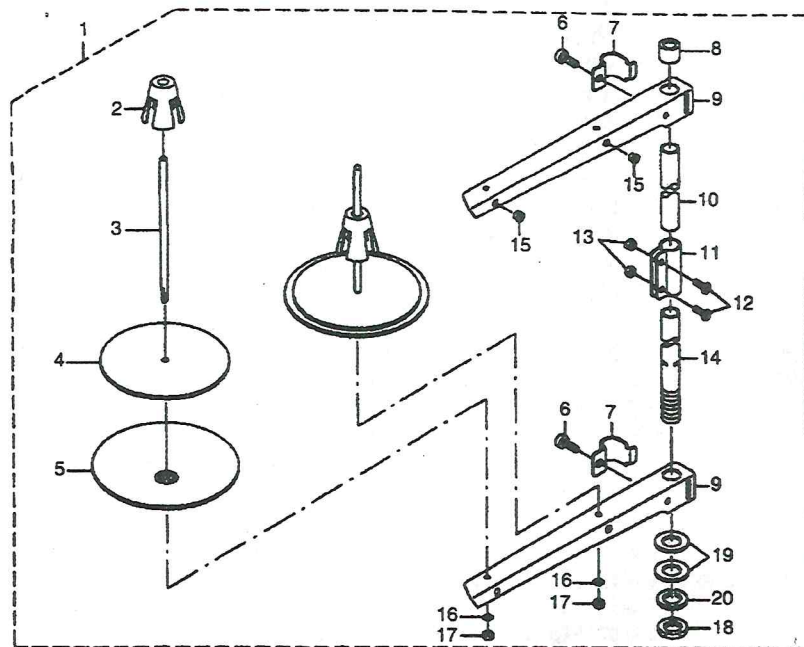
序号 Ref. NO.	件号 Part NO.	名称	Description	数量 Qty	备注 Note
1	GR1561-8	油窗	Oil sight window	1	
2	GR1562	油窗O型圈	Rubber ring	1	
3	GR3398	上轴供油管	Main shaft oil tube	1	
4	GR0551	回油管夹螺钉	Screw 3/16x28 L=6	1	
5	GR1569	回油毡夹	Oil felt presser	1	
6	GR3401	回油管组件	Oil return tube asm	1	
7	GR1566	回油管夹	Holder	1	
8	GR3378	送料轴油线	Oil wick	1	
9	GS054-8	旋梭油量调节螺钉	Oil adjusting screw	1	
10	GW259-8	旋梭油量调节簧	Spring	1	
11	GR3399-8	旋梭供油管	Oil tube	1	
12	GR3389/12	油泵部件	Lubricating oil pump asm	1	
13	GR3390	油泵安装板	Oil pump installing base	1	
14	GR3391	油泵体	Oil pump	1	
15	GR3392	油泵叶轮	Oil pump impeller	1	
16	GS554	油泵盖螺钉	Screw D=3 L=10	3	
17	GR3394	油泵盖	Lubricating oil pump cover	1	
18	GR3393	油泵叶轮托板	Oil pump impeller cover	1	
19	GR3396	回油柱塞	Plunger	1	
20	GW437	柱塞簧	Plunger spring	1	
21	GS0569	柱塞螺钉	Plunger screw	1	
22	GR3395	下轴供油管	Hook driving shaft oil tube	1	
23	GS0568	油泵安装螺钉	Screw M3 L=8	3	
24	GS030	螺柱连接螺钉	Screw 11/64x40 L=9.5	1	
25	GS0567-8	油泵连接螺柱	Oil pump support, large	1	
26	GS062	油泵螺钉	Screw 15/64x28 L=12	1	
27	GR3397	供油管接头	Rubber joint	1	
28	GS9890.39	绕线器驱动轮	Bobbin pulley	1	
29	GS1761	绕线器驱动轮螺钉	Screw	2	

11. 油盘部件

1	GR3405/17	油盘部件	Oil reservoir asm	1	
2	GR3406	油盘	Oil reservoir	1	
3	GR3407	油盘垫	Oil reservoir gasket	1	
4	GR3408	机头座垫	Rubber cushion	4	
5	GS0571	排油孔螺钉	Screw 5/16x24 L=7	1	
6	GR3409	排油孔螺钉O型圈	Rubber ring	1	
7	GH576	抬压脚双向曲柄	Knee lifting rotating arm	1	
8	GW438	双向曲柄扭簧	Spring	1	
9	GR1583	抬压脚轴开口挡圈	E-ring 10	1	
10	GR3410	抬压脚操纵杆节头	Vertical shaft fitting arm	1	
11	GS0573	操纵杆节头螺钉	Screw	2	
12	GL21	双向曲柄限位调节螺母	Nut M6	2	
13	GS057	双向曲柄限位调节螺钉	Screw M6 L=30	2	
14	GS0572	双向曲柄螺钉	Screw M6 L=17.5	1	
15	GZ439	抬压脚轴	Knee press cross shaft	1	
16	GR3411/6	操纵杆部件	Knee pan plate asm	1	
17	GKR13	操纵杆软垫	Knee pan plate cover	1	
18	GR1586	操纵杆	Knee pan upright shaft	1	
19	GR3413	操纵杆垫	Knee pan plate rubber	1	
20	GR3412	操纵板	Knee pan plate	1	
21	GR3414	操纵杆节头	Knee pan plate support	1	
22	GS584	节头螺钉	Screw M6 L=12	1	
23	GH579	抬压脚顶销	Knee lifter push rod	1	

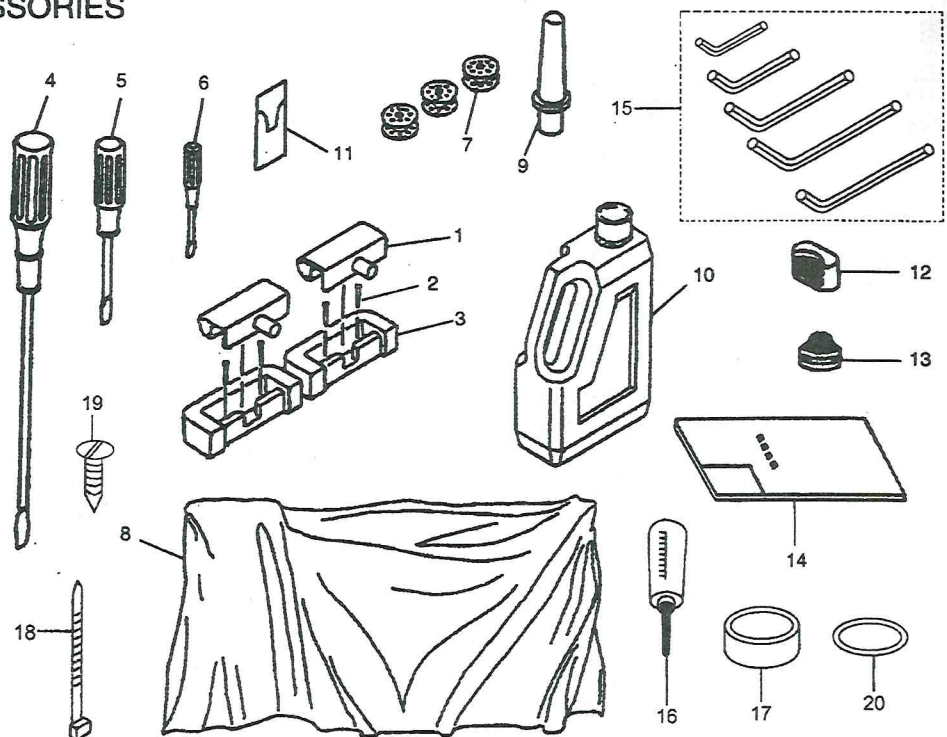
12.过线架部件

THREAD STAND COMPONENTS



13.附件

ACCESSORIES



12. 过线架部件

序号 Ref. NO.	件号 Part NO.	名称	Description	数量 Qty	备注 Note
1		过线架部件	Thread stand asm.	1	
2	GR1215	线团防送垫	Spool retainer	2	
3	GS067	线盘钉	Spool pin	2	
4	GR750	线盘轮垫	Spool rest cushion	2	
5	GR1811	线盘	Spool rest	2	
6	GS558	线架过线夹螺钉	Screw M6 L=16	2	
7	GR1745	线架过线夹	Thread guide arm joint	2	
8	GR1744	线架杆顶防护橡皮	Spool rest rod rubber cap	1	
9	GR1825	线架过线杆	Spool rest arm	2	
10	GZ316-8	线架杆上节	Spool rest rod, upper	1	
11	GR1932	线架杆接头	Spool rest rod joint	1	
12	GS401	线架杆接头螺钉	Screw M5 L=14	2	
13	GL158	线架杆接头螺母	Nut M5	2	
14	GZ315-8	线架杆下节	Spool rest rod, lower	1	
15	GR1748	过线圈	Thread guide	2	
16	GR1625	线盘钉弹簧垫	Spring washer	2	
17	GL23	线盘钉螺母	Nut M5	2	
18	GL158	线架杆紧固螺母	Nut M16 x 1.5	1	
19	GR1696	线架杆紧固螺母垫圈	Washer 16 x 30 x 2.6	2	
20	GR1751	紧固螺母弹簧的垫圈	Spring washer	1	

13. 附件

序号 Ref. NO.	件号 Part NO.	名称	Description	数量 Qty	备注 Note
1	GR1590/2	机头连接钩组件	Machine hinge plate asm.	2	
2	GK241	机头连接钩座钉	Nail	4	
3	GBX105	机头连接钩座	Machine hinge plate	2	
4	GR1610	螺丝刀(大)	Screw driver, large	1	
5	GR1602	螺丝刀(中)	Screw driver, medium	1	
6	GR1603	螺丝刀(小)	Screw driver, small	1	
7	GN163-8	梭心	Bobbin	3	
8	GF424	机头罩	Macgube head cover	1	
9	GBR148	机头支柱	Macgube rest cover	1	
10	GR1604/3	油箱部件	Oil reservoir asm.	1	
11	GV15	机针	Needle DB x 1 #14-#16	1包	
12	GR1578-8	防震垫(A)	Quakeproof washer A	1	
13	GR1579-8	防震垫(B)	Quakeproof washer B	1	
14		说明书	Instruction book	1	
15		内六角扳手(1.5, 2, 2.5, 3, 4)	Cross screw driver (1.5, 2, 2.5, 3, 4)	各1	
16		小油壶	Oiler asm	1	
17	GR1576	油盘磁铁	Oil reservoir magnet	1	
18		尼龙扎带	Cable band	5	
19	GBR147	木螺钉	Wood screw	4	
20	GS0574	垫圈	Washer	4	